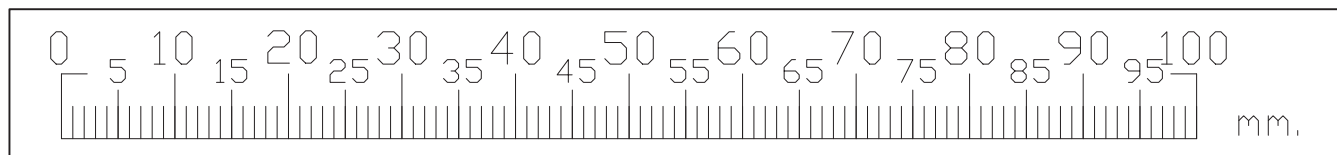
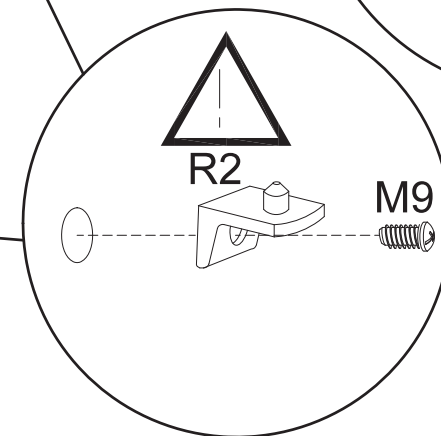
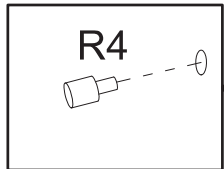
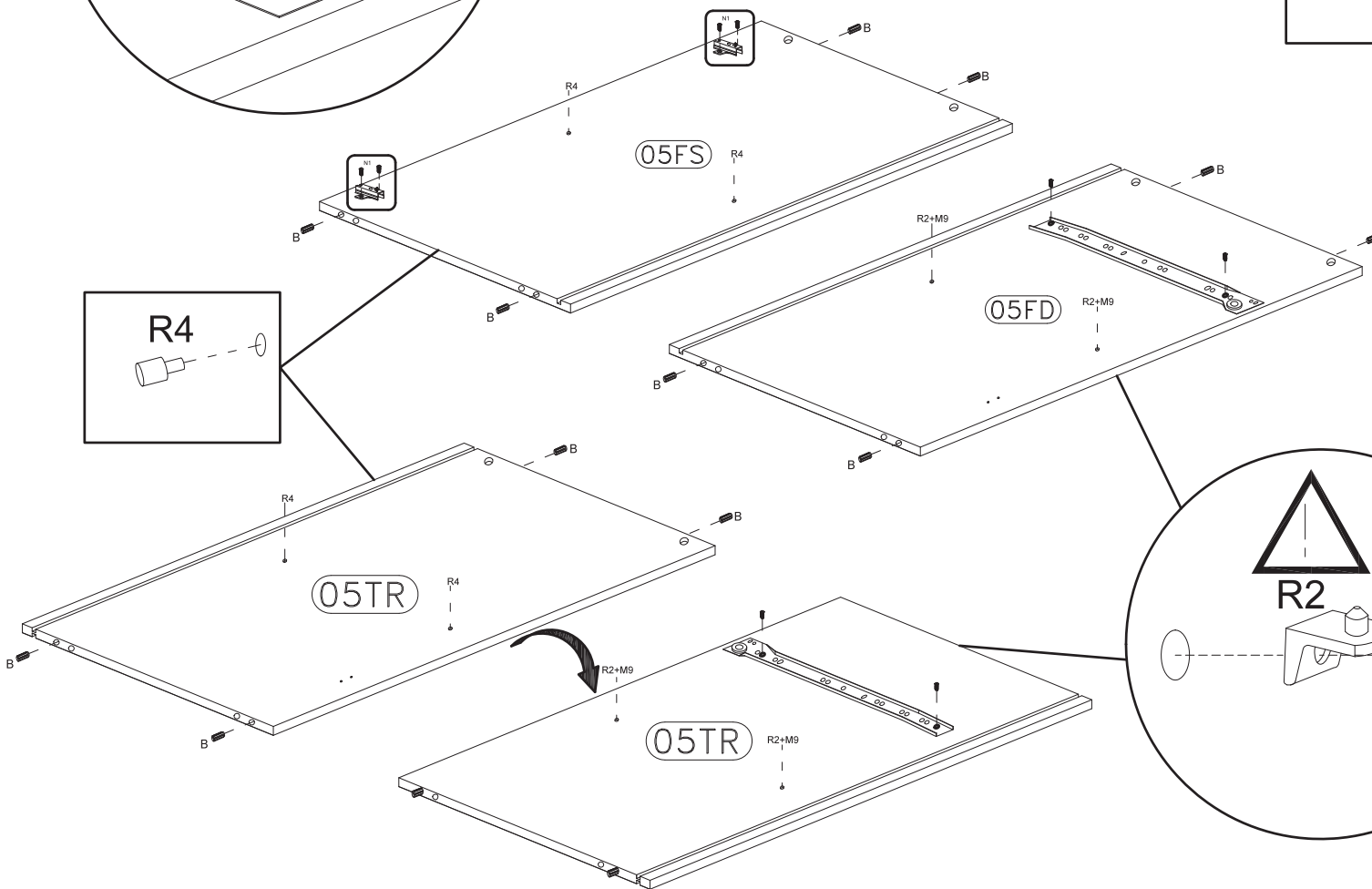
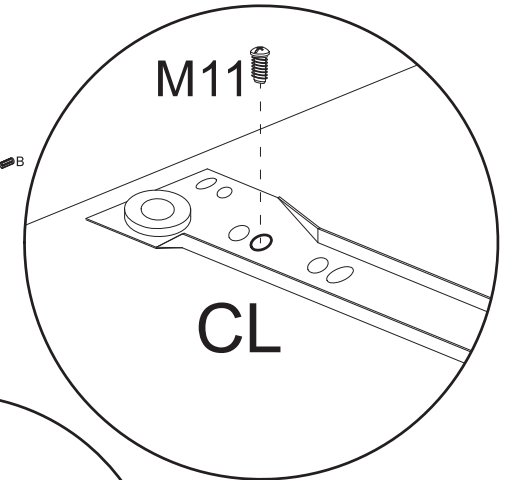
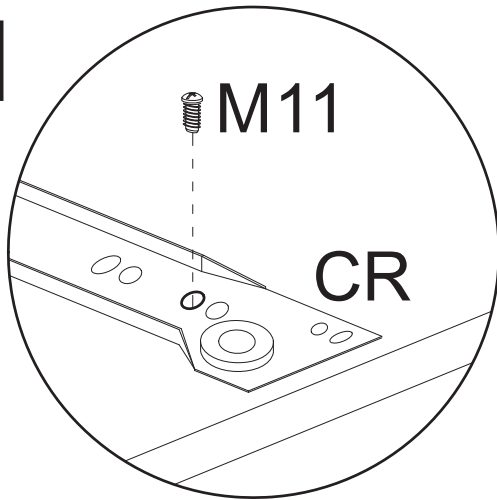
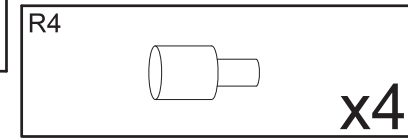
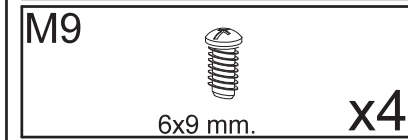
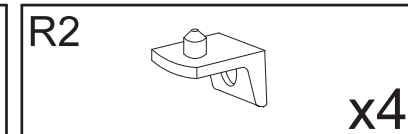
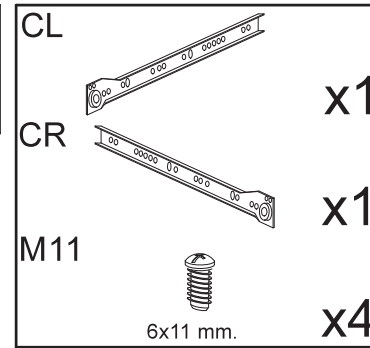
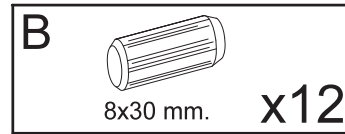


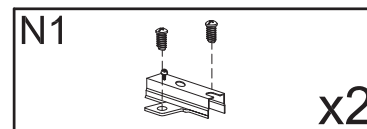
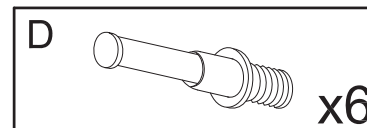
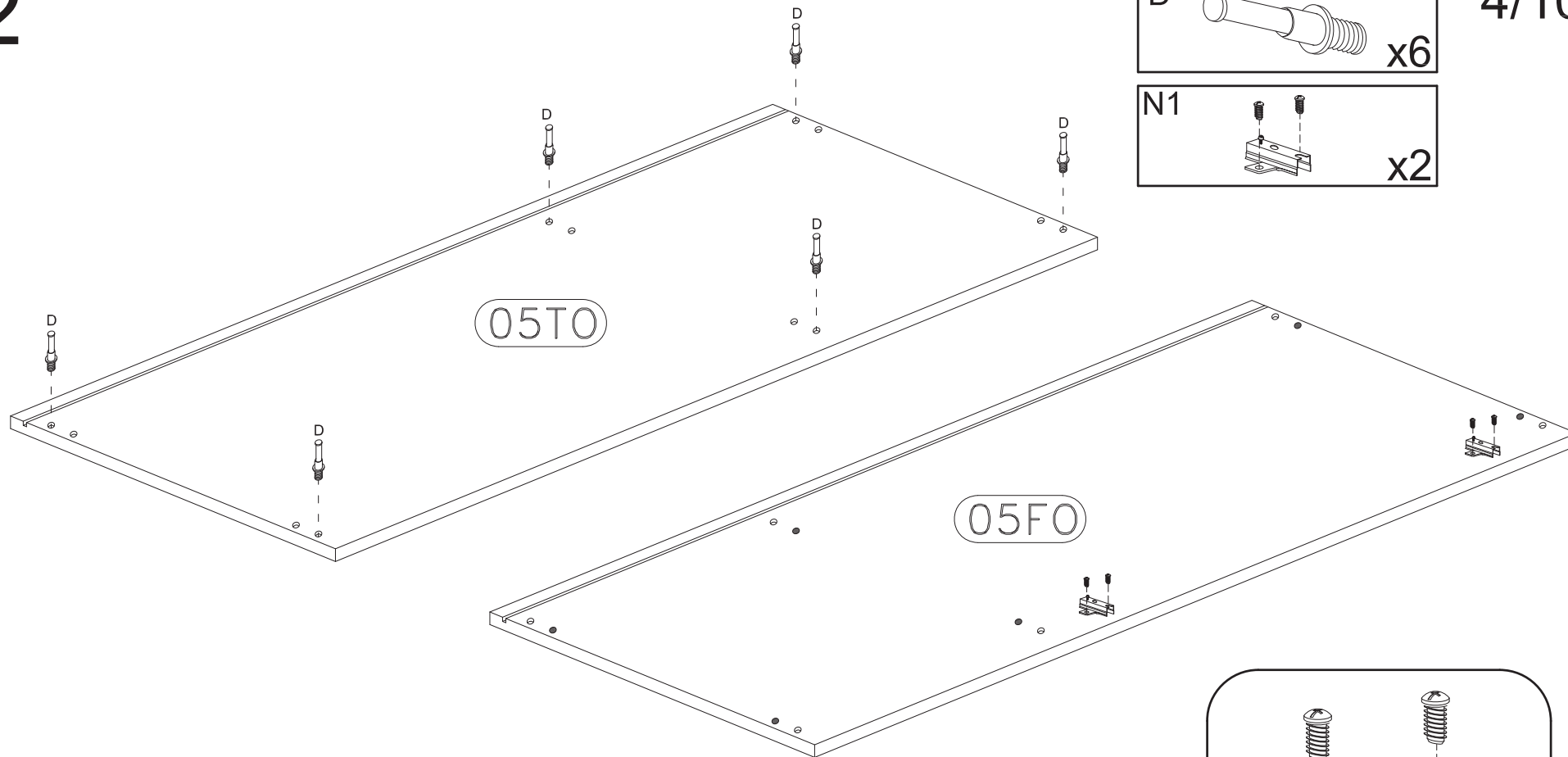
A		x22	R4		x4	CL		x1
B		x12	R2		x4	CR		x1
C		x6	L		x5	DR		x1
D		x6	M2		x12	DL		x1
E		x6	M9		x4			
P		x6	M11		x4	L2		x8
P2		x2	P12		x2	N1		x4
						O		x4
F19		x5	C1		x2	D1		x2



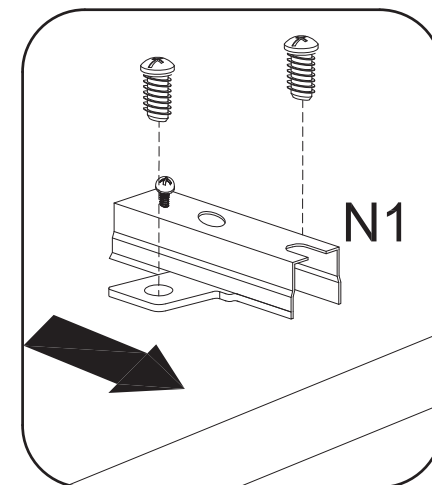
1



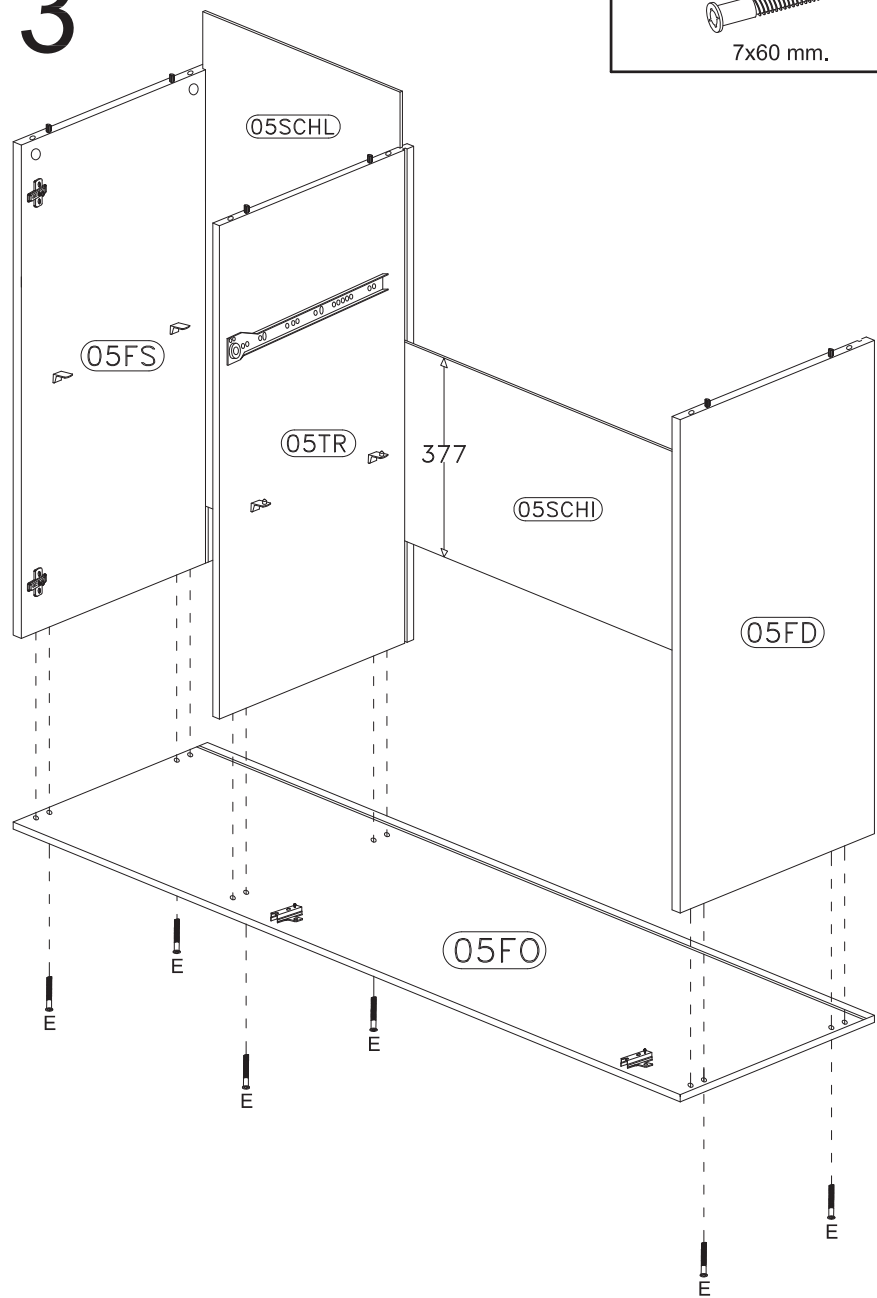
2



4/10



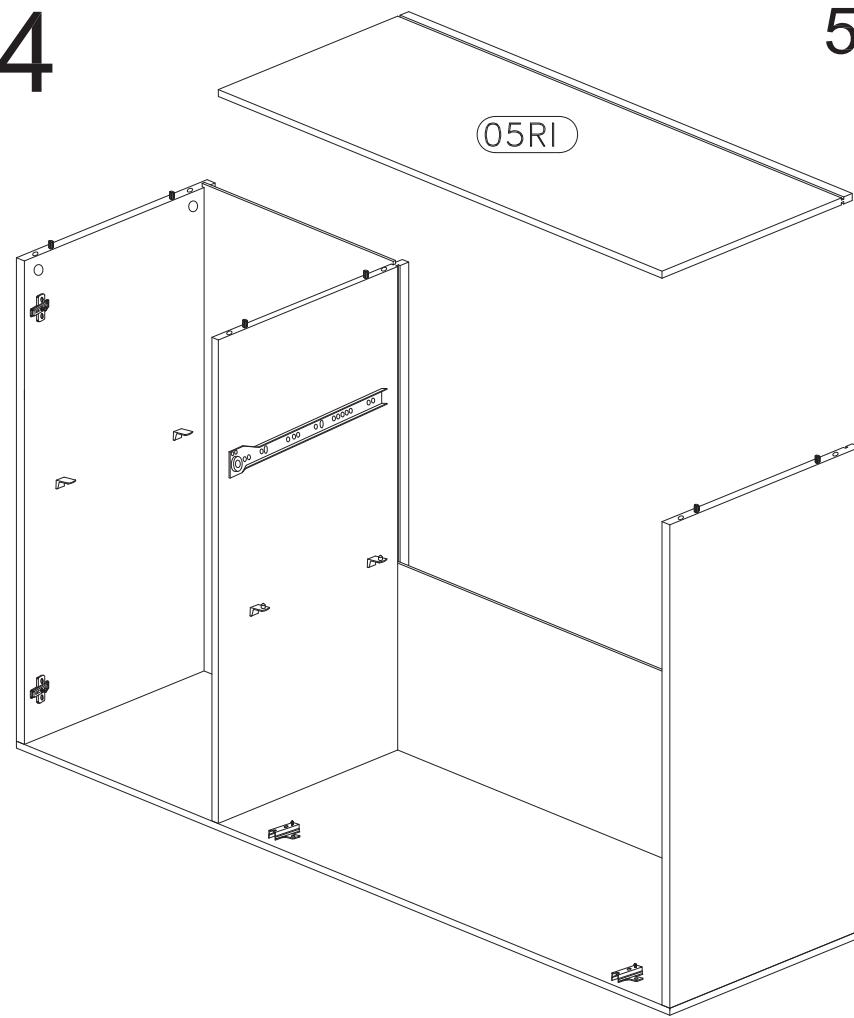
3



E

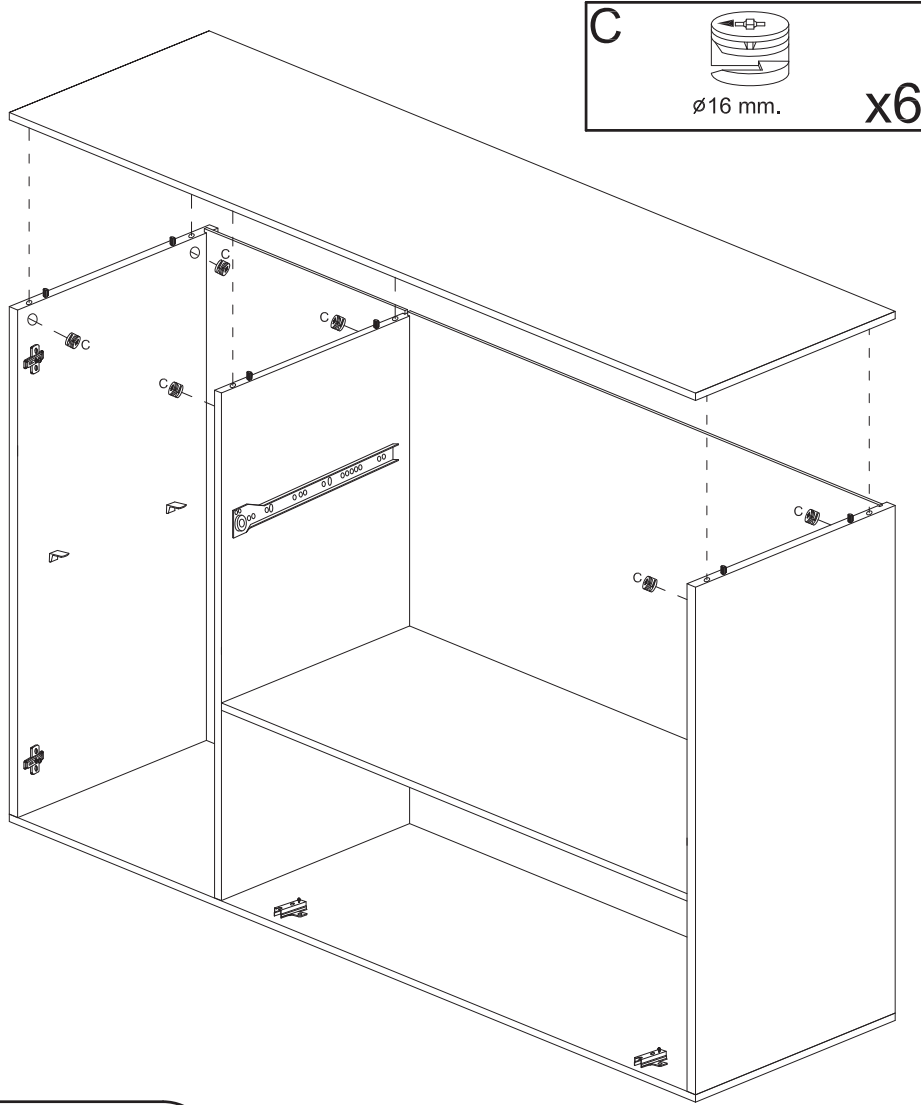
7x60 mm. **x6**

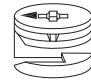
4

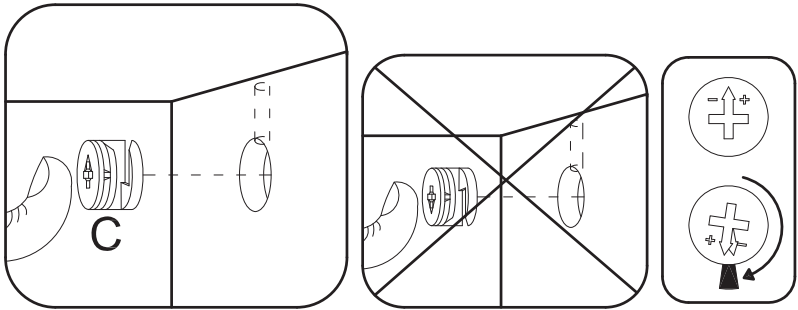


5/10

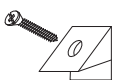
5



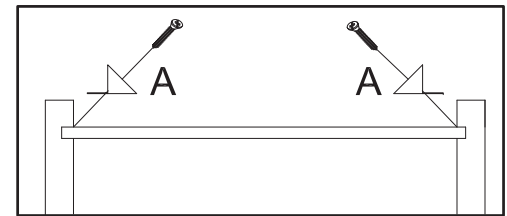
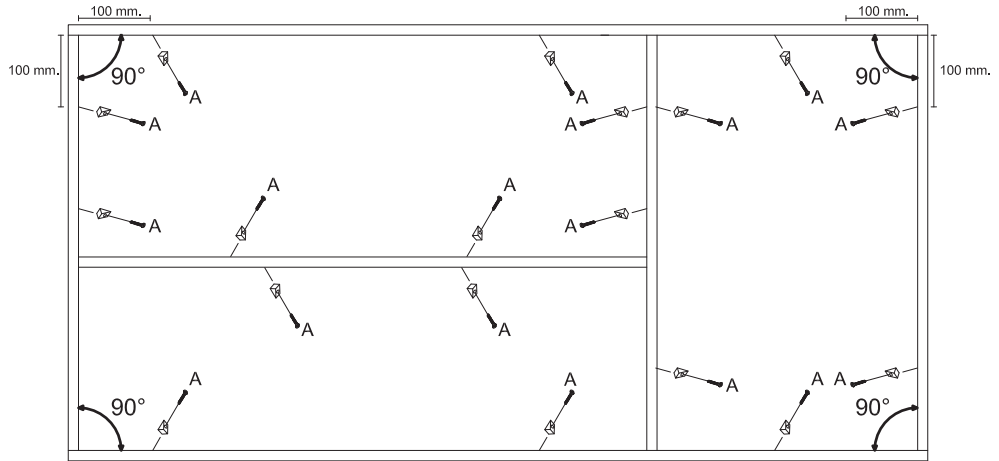
C  $\varnothing 16 \text{ mm.}$ **x6**



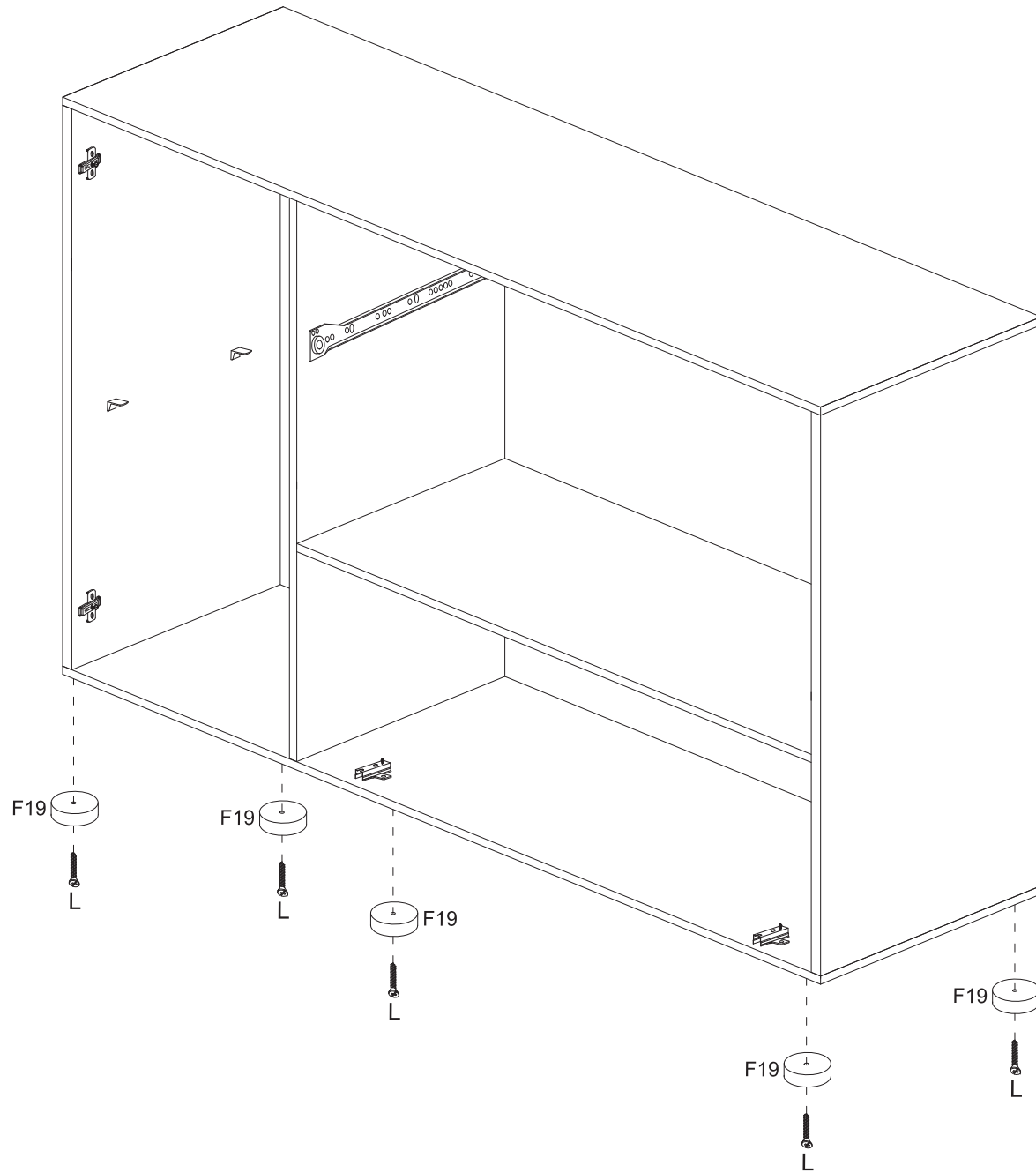
6

A  **x18**

6/10



7



L

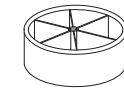


4x30 mm.

x5

7/10

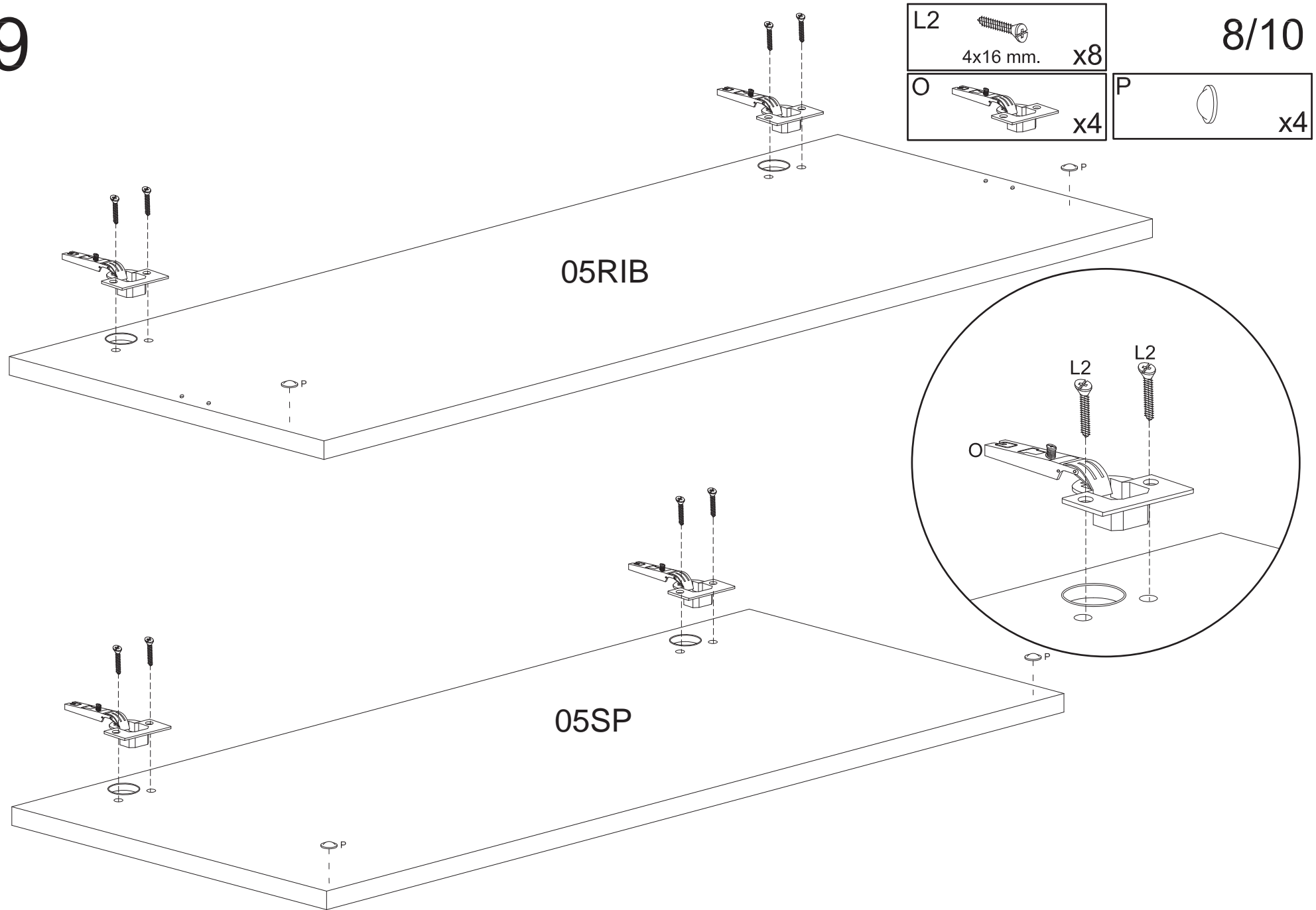
F19



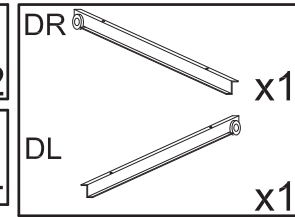
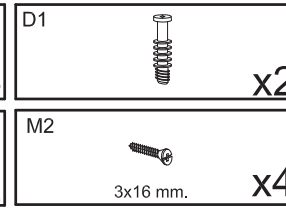
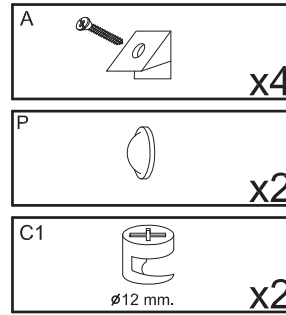
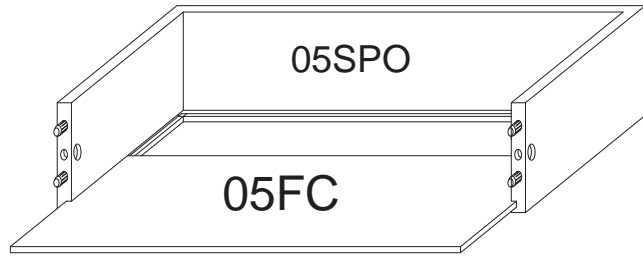
Ø 60 mm
h 20 mm

x5

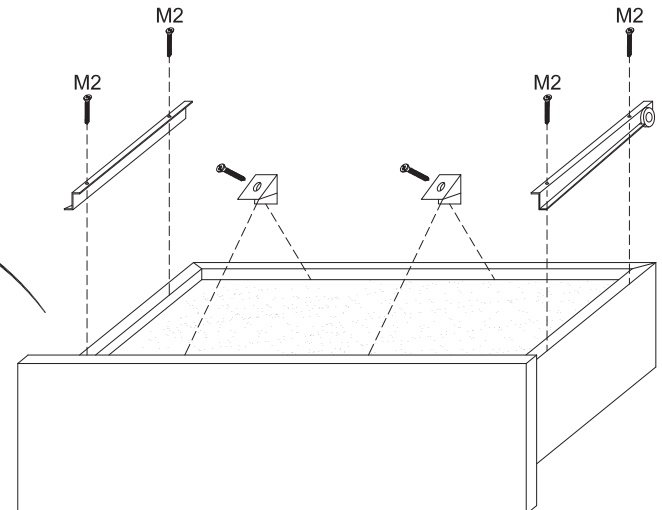
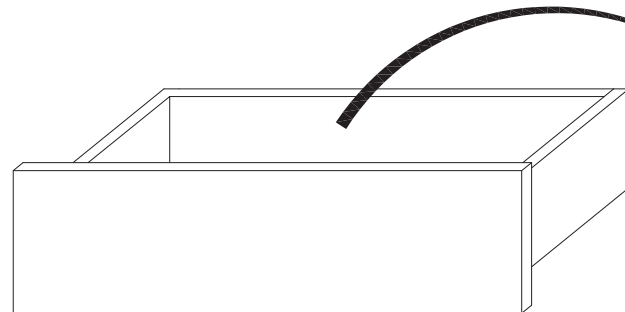
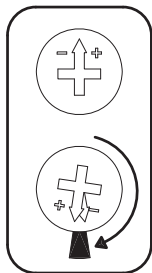
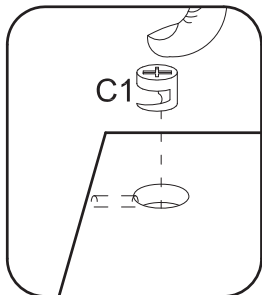
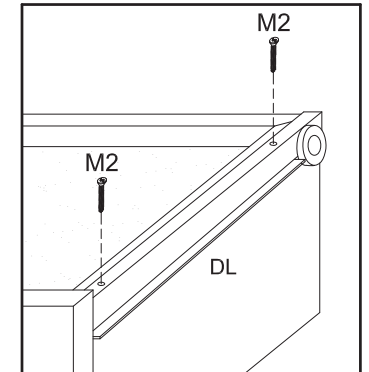
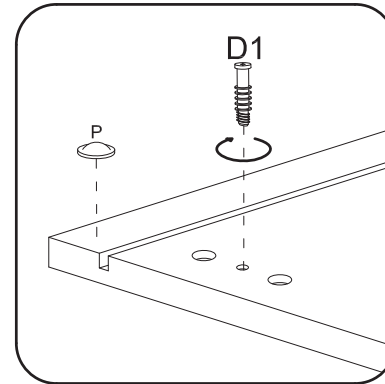
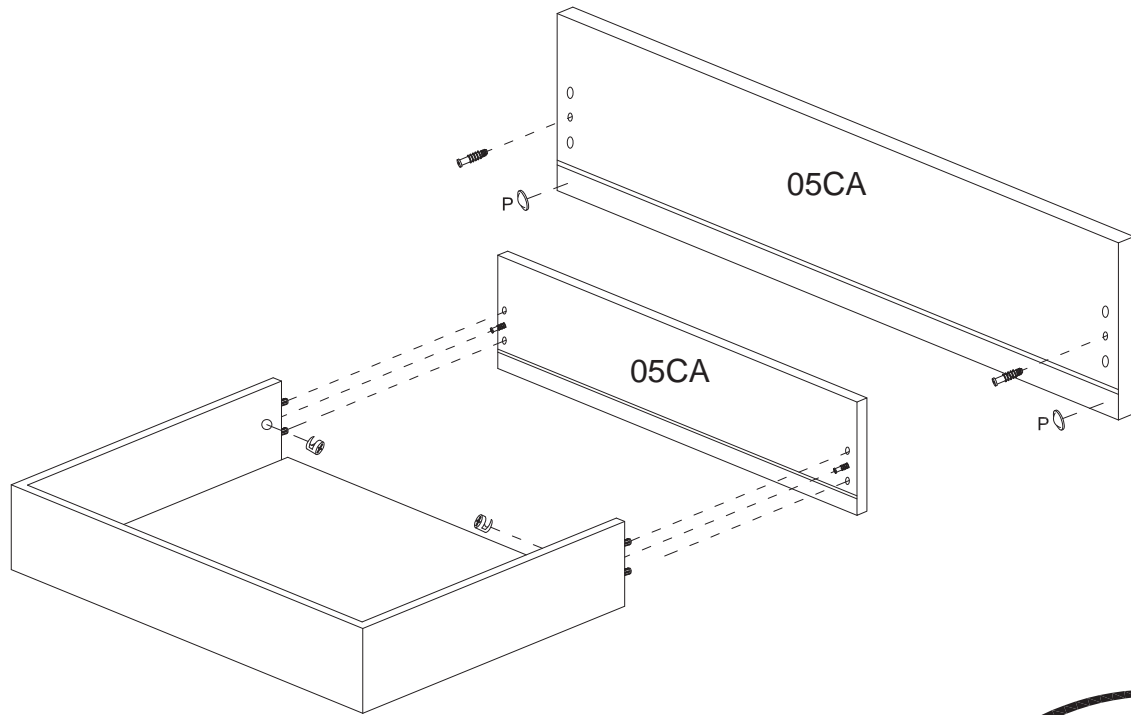
9



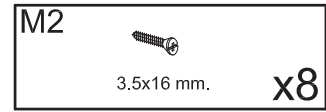
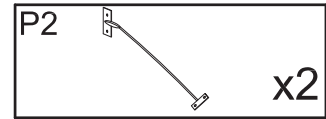
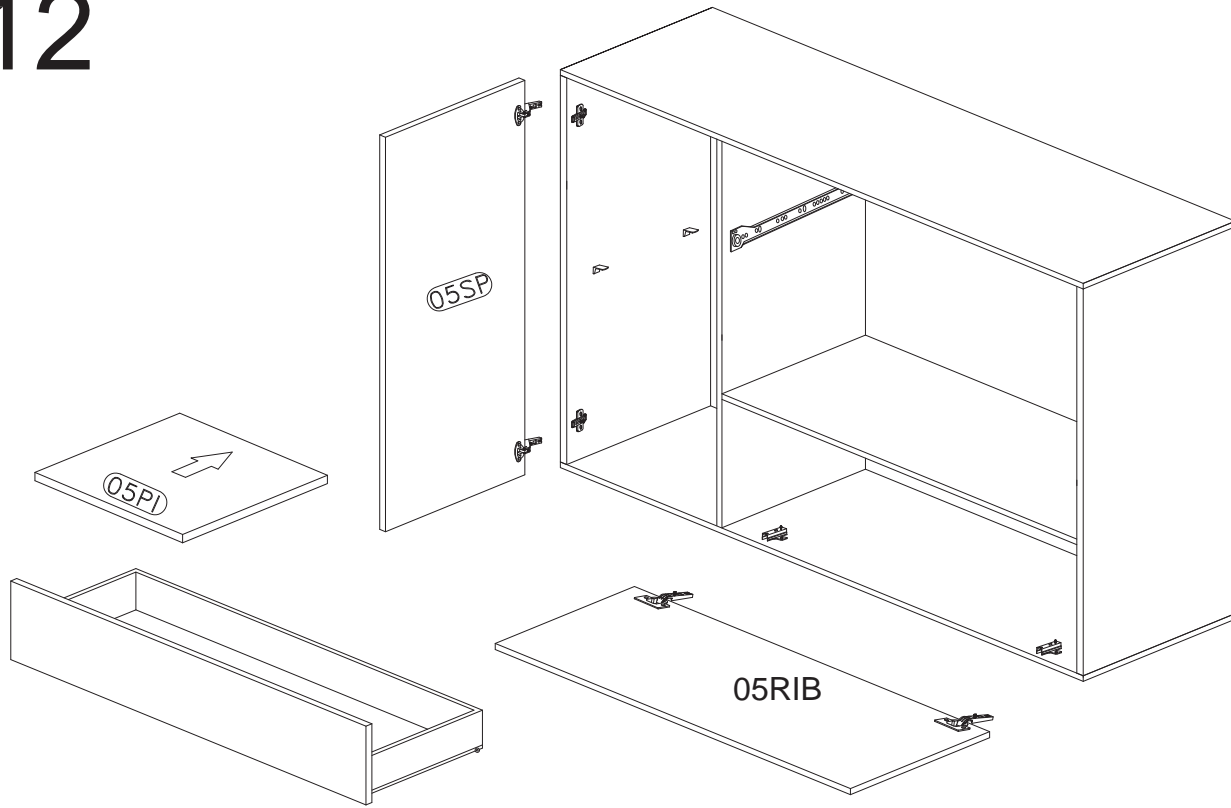
11



9/10



12



10/10

